

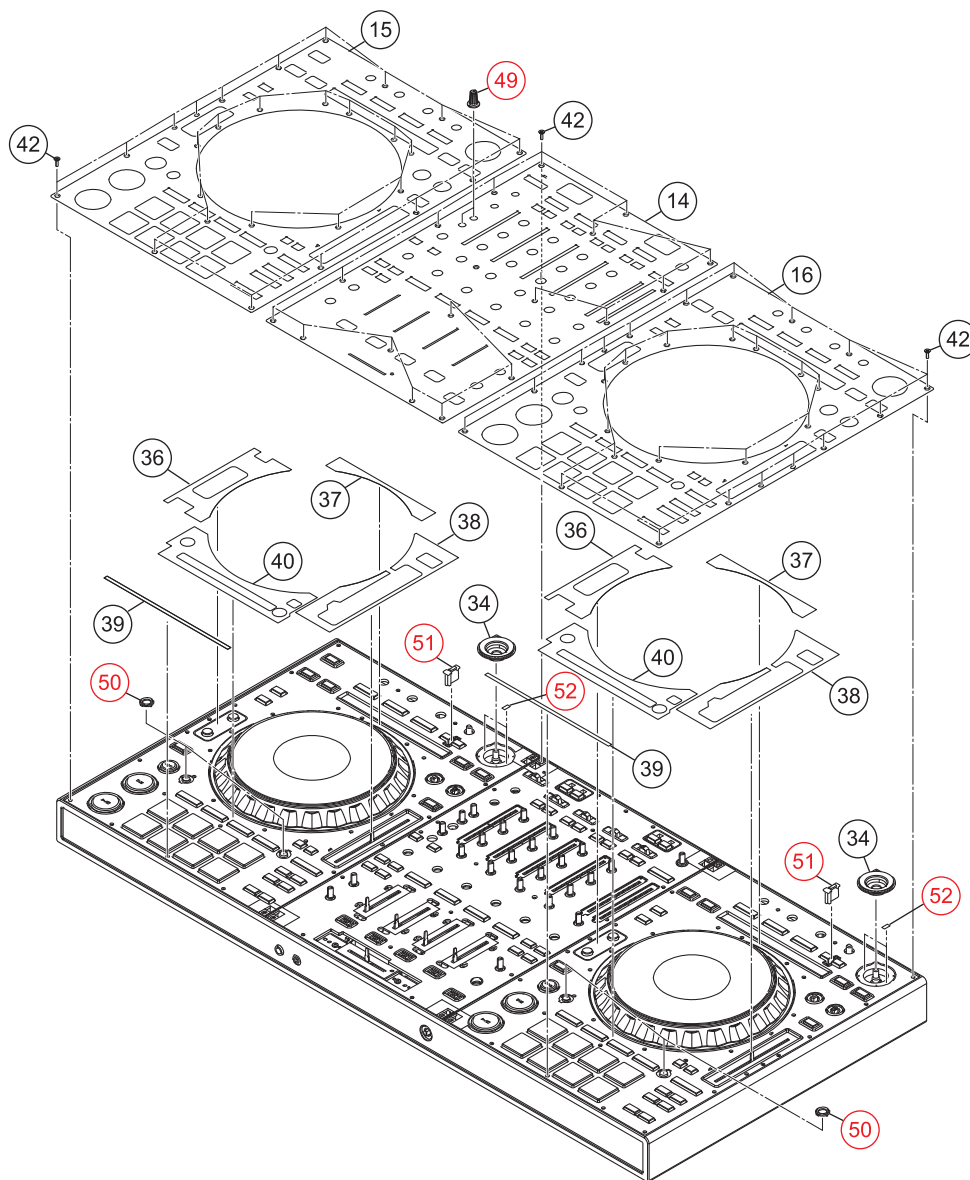
## 9.2 TOP and CHASSIS SECTION

DDJ-SZ/UXJCB and DDJ-RZ/UXJCB, LSXXJ, XJCN are constructed the same except for the following:

For convenience of the system, the part names for the DDJ-RZ are simplified. The part names in parentheses are those for the DDJ-SZ.

Mark	No.	Symbol and Description	DDJ-SZ/UXJCB	DDJ-RZ	Remarks
	4	Knob (Rotary SW Knob (C))	DAA1180	DAA1344	
	8	Knob/BRS (Dial Knob)	DAA1259	DAA1342	
	14	Plate (Plate/MIX)	DAH2976	DAH3045	
	15	Plate (Plate/DEL)	DAH2982	DAH3046	
	16	Plate (Plate/DER)	DAH2983	DAH3047	
	31	Chassis	DNK6286	DNK6475	
	32	Shaft (Shaft/EXT)	DNK6305	DNK6410	
	38	DS Tape (DS Tape/ALR)	DEH1050	DEH1079	
	40	DS Tape (DS Tape/PAJ)	DEH1056	DEH1080	
		Knob/EQ (Knob/SHR)	DAA1333	DAA1302	No. 49
		Escutcheon	Not used	DNK6473	No. 50
		Escutcheon	Not used	DNK6474	No. 51
		DS Tape	Not used	DEH1064	No. 52

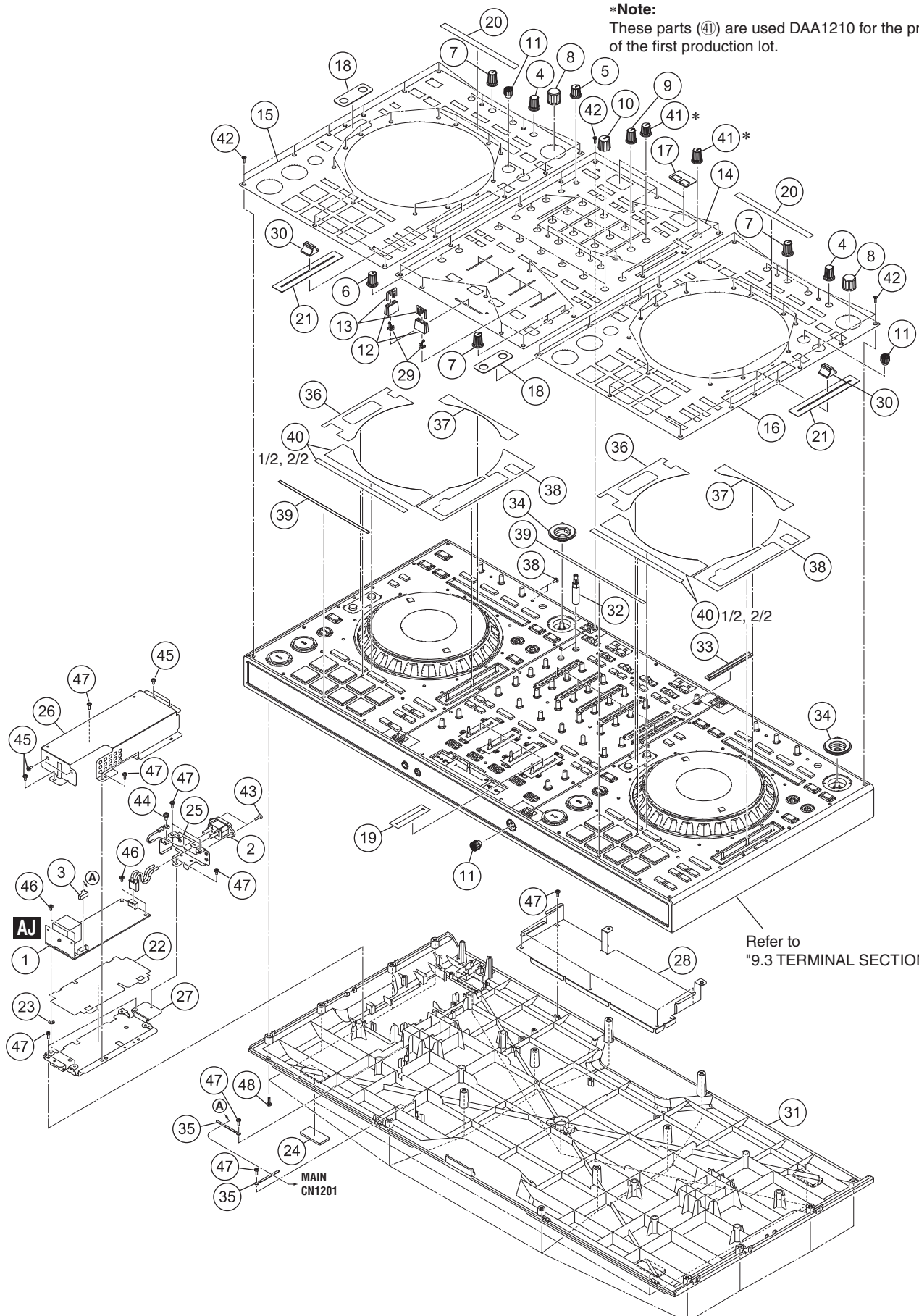
### TOP and CHASSIS SECTION



# 9.2 TOP and CHASSIS SECTION

A  
B  
C  
D  
E  
F

**\*Note:**  
These parts (41) are used DAA1210 for the products of the first production lot.



## TOP and CHASSIS SECTION PARTS LIST

<u>Mark No.</u>	<u>Description</u>	<u>Part No.</u>	
⚠	1 POWER SUPPLY Assy	DWR1463	
⚠	2 AC Inlet/3P	DKP3954	A
	3 Crimp Connector/6P	DKP3956	
	4 Rotary Sw Knob (C)	DAA1180	
	5 Knob (MA)	DAA1210	
	6 Knob (Black)	DAA1212	
	7 Rotary Knob (BN)	DAA1220	
	8 Dial Knob	DAA1259	
	9 Knob/RSW	DAA1305	
	10 Knob/FRE	DAA1309	
	11 Knob/CFC	DAA1326	B
	12 Slider Knob 1	DAC2684	
	13 Slider Knob 2	DAC2685	
	14 Plate/MIX	DAH2976	
	15 Plate/DEL	DAH2982	
	16 Plate/DER	DAH2983	
	17 Panel/USB	DAH2984	
	18 Panel/DEC	DAH2986	
	19 Fader Packing	DEC3355	
	20 Sheet/CDC	DEC3532	C
	21 Sheet/TMP	DEC3541	
	22 Barrier/SWP	DEC3553	
	23 Washer/PWR	DEC3554	
	24 Sheet/LEG	DEC3557	
	25 Bracket/ACI	DNF1932	
	26 Shield Case/U	DNH3142	
	27 Shield Case/L	DNH3143	
	28 Shield Plate	DNH3155	
	29 Slider Knob Stopper	DNK5888	D
	30 Knob/SLD	DNK5981	
	31 Chassis	DNK6286	
	32 Shaft/EXT	DNK6305	
	33 Lens/LVL	DNK6306	
	34 Ring/BRS	DNK6312	
	35 Cord Clamper (Steel)	RNH-184	
	36 DS Tape/ALL	DEH1048	
	37 DS Tape/ALT	DEH1049	
	38 DS Tape/ALR	DEH1050	E
	39 DS Tape/ALB	DEH1051	
	40 DS Tape/PAJ	DEH1056	
	41 Knob/SHR	DAA1333	
	42 Screw	CPZ26P080FTB	
	43 Screw	IBZ30P080FTB	
	44 Screw	PMH40P080FTC	
	45 Screw	BBZ30P060FTB	
	46 Screw	BBZ30P080FTB	F
	47 Screw	BPZ30P080FNI	
	48 Screw	BPZ30P100FTB	