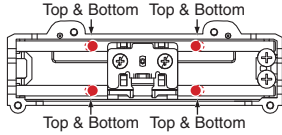


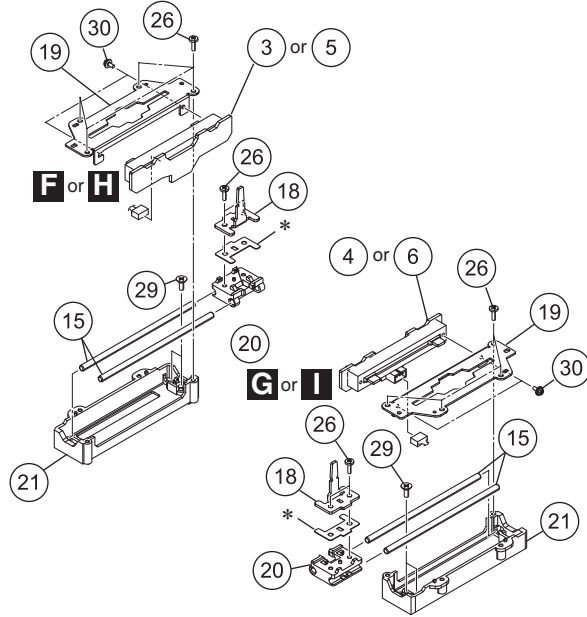
9.5 MIXER SECTION



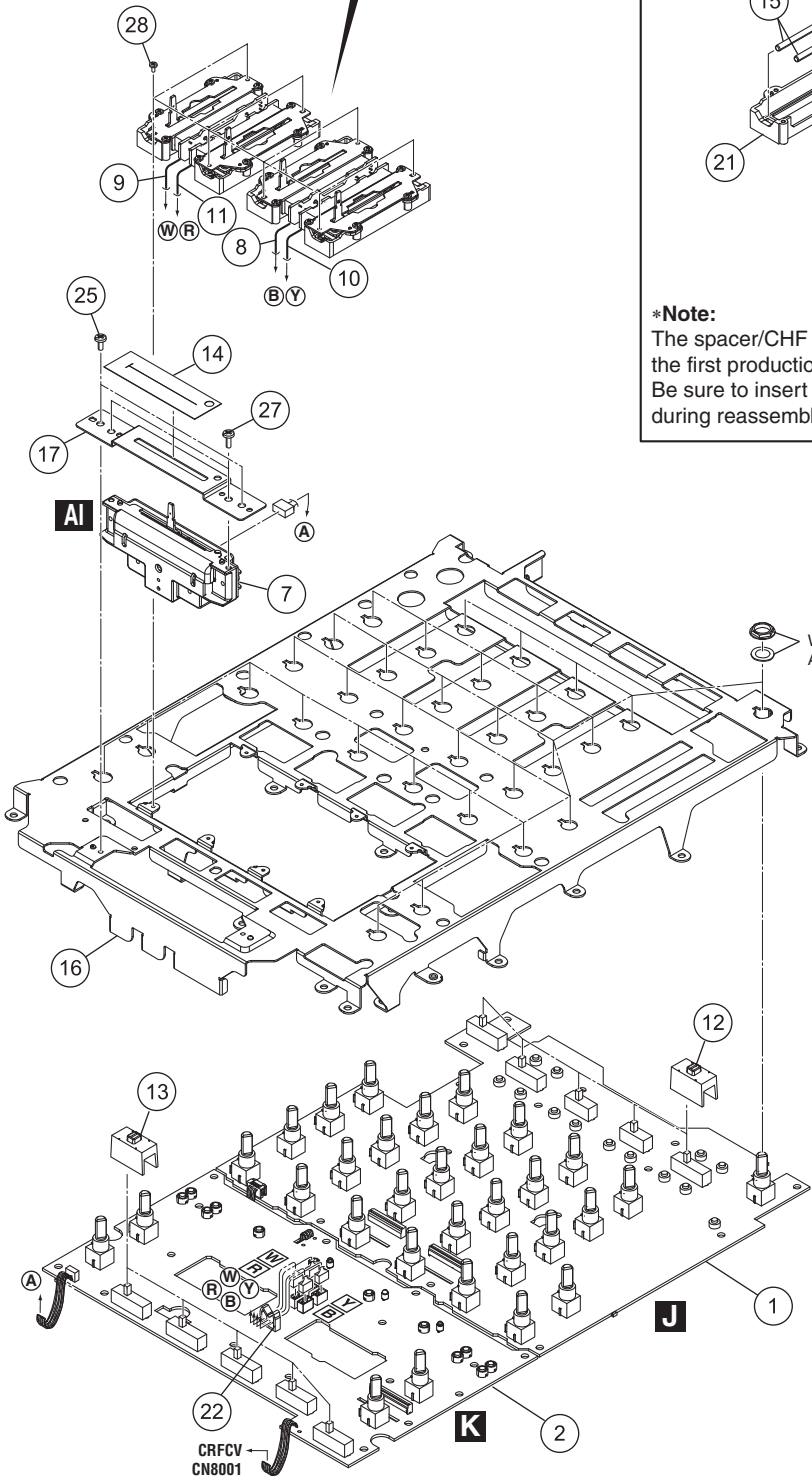
Lubricating oil
(GYA1001)



Note:
Greasing must be performed at a total of 8 points, 2 points each for the upper and bottom places of each shaft. (0.4 to 1 mg per point × 8 points)
After applying grease, move the slider base back and forth from one end to the other for approximately 10 to 20 strokes, in order to fully spread the grease.



***Note:**
The spacer/CHF (Part No.: DEC3558) is used only for the products of the first production lot.
Be sure to insert the spacer into the position shown in the figure during reassembly after disassembly.



MIXER SECTION PARTS LIST

Mark No.	Description	Part No.	
1	MXRA Assy	DWX3543	
2	MXRB Assy	DWX3544	A
3	FAD1 Assy	DWX3540	
4	FAD2 Assy	DWX3541	
5	FAD3 Assy	DWX3539	
6	FAD4 Assy	DWX3542	
7	CROSS FADER Assy	DXA2257	
8	Connector Assy	PF03PP-B12	
9	Connector Assy	PF03PP2B07	
10	Connector Assy	PF03PP4B12	
11	Connector Assy	PF03PP6B07	B
12	Slide SW Cap	DAC2400	
13	Slide SW Cap (W)	DAC2401	
14	Packing/FAD	DEC3542	
NSP 15	Guide Shaft (S)	DLA1918	
16	Stay/MIX	DND1280	
17	Stay/CRF	DNF1936	
18	Lever Plate	DNH2954	
19	VR Stay	DNH2955	
20	Slider Base	DNK5851	C
21	Shaft Holder	DNK5852	
22	Holder	VEC1355	
23	•••••		
24	•••••		
25	Screw	BBZ30P060FTB	
26	Screw	BPZ20P060FTC	
27	Screw	BPZ30P080FNI	
28	Screw	BSZ20P040FTB	
29	Screw	CPZ26P080FTC	D
30	Screw	PMH20P040FTC	

9.5 MIXER SECTION

DDJ-SZ/UXJCB and DDJ-RZ/LSYXJ, UXJCB, XJCN are constructed the same except for the following:

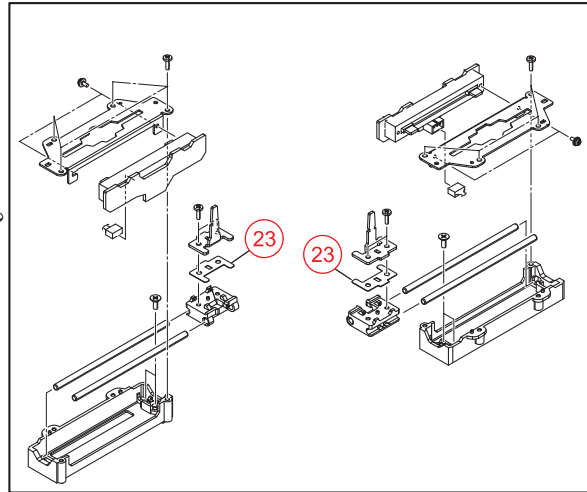
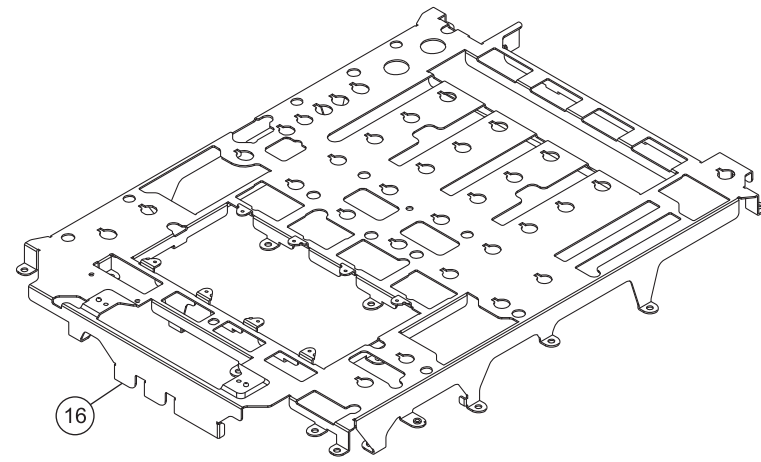
For convenience of the system, the part names for the DDJ-RZ are simplified. The part names in parentheses are those for the DDJ-SZ.

A

Mark	No.	Symbol and Description	DDJ-SZ/UXJCB	DDJ-RZ	Remarks
	1	MXRA Assy	DWX3543	DWX3753	
	2	MXRB Assy	DWX3544	DWX3767	
	3	FAD1 Assy	DWX3540	DWX3772	
	4	FAD2 Assy	DWX3541	DWX3773	
	5	FAD3 Assy	DWX3539	DWX3771	
	6	FAD4 Assy	DWX3542	DWX3774	
	16	Stay (Stay/MIX) Spacer/CHF	DND1280 Not used	DND1285 DEC3558	No. 23

B

MIXER SECTION



C

D

E

F