

9.7 JOG DIAL SECTION

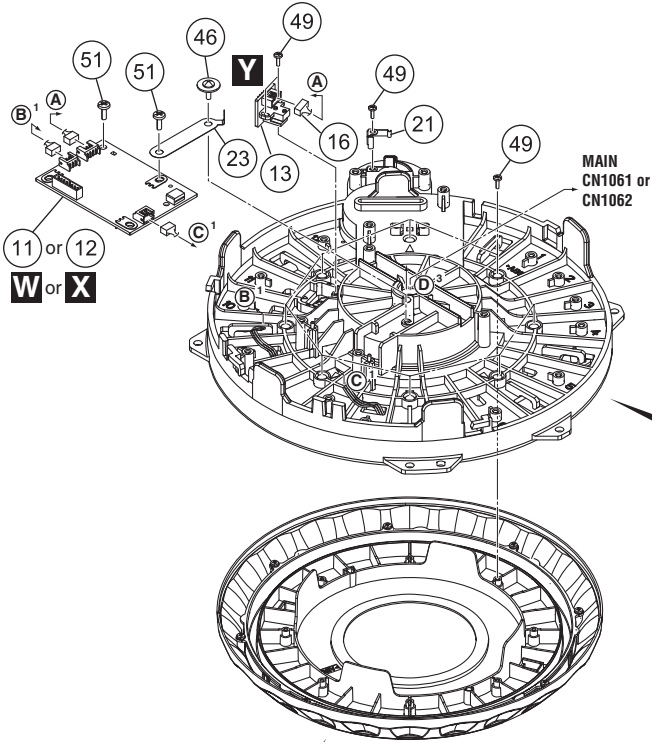
1

2

3

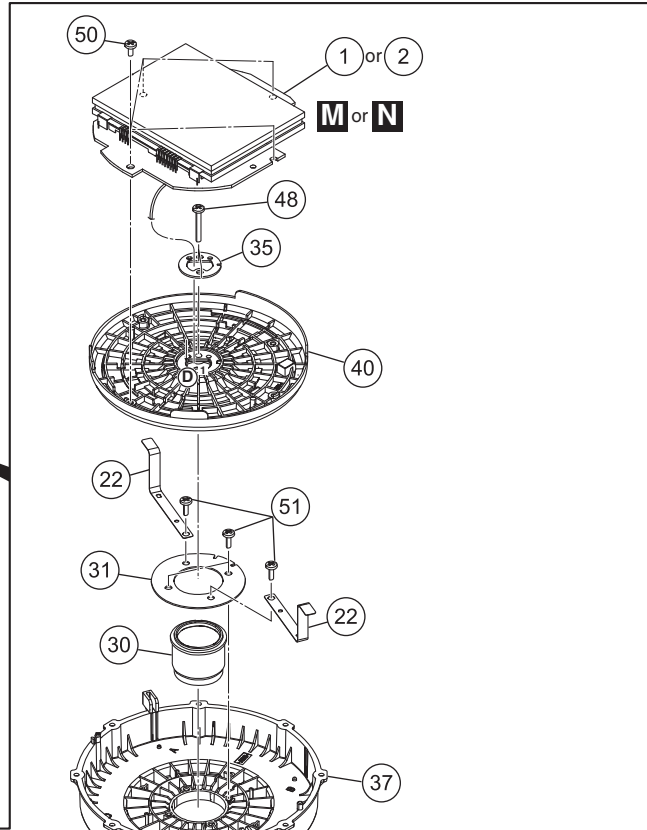
4

A

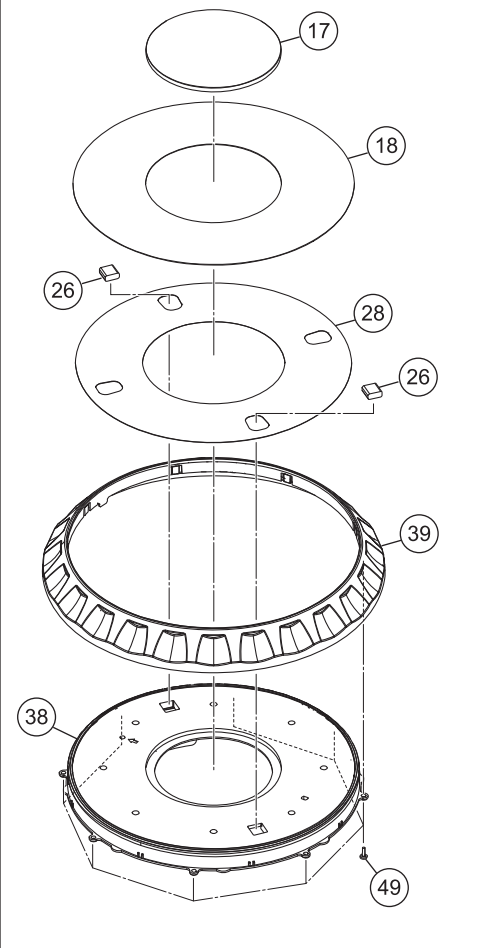


B

C

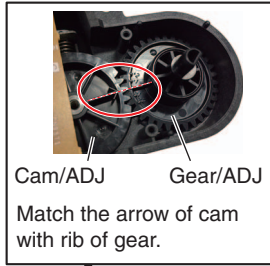
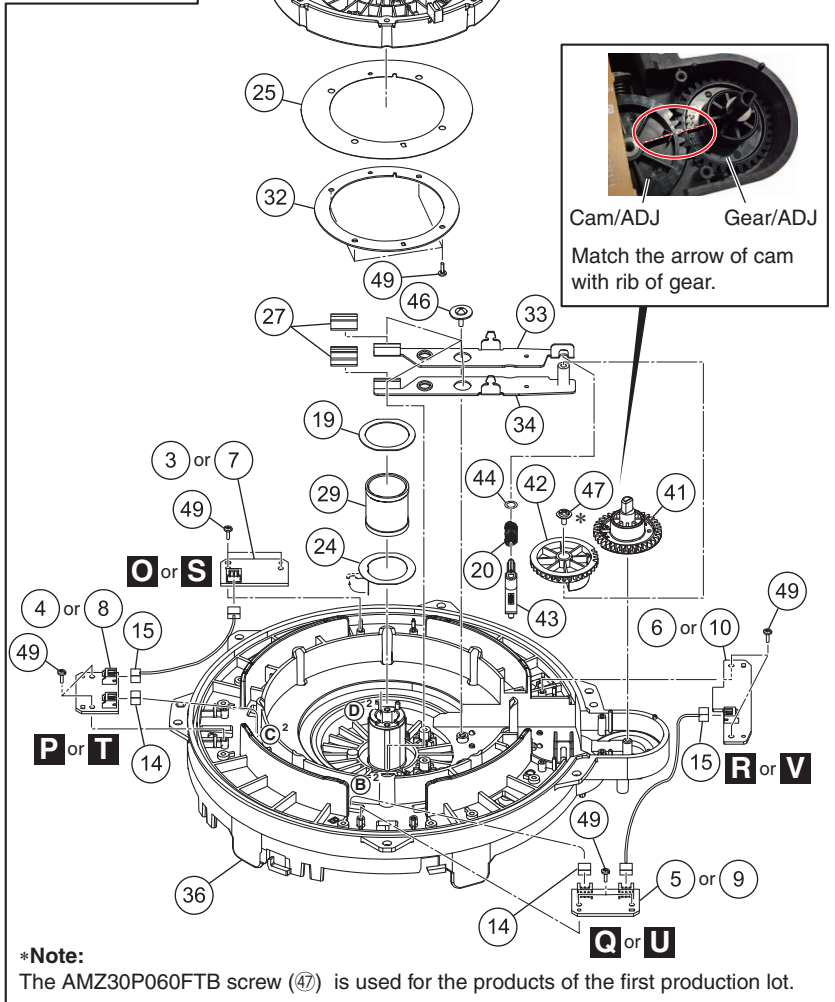


D



E

F



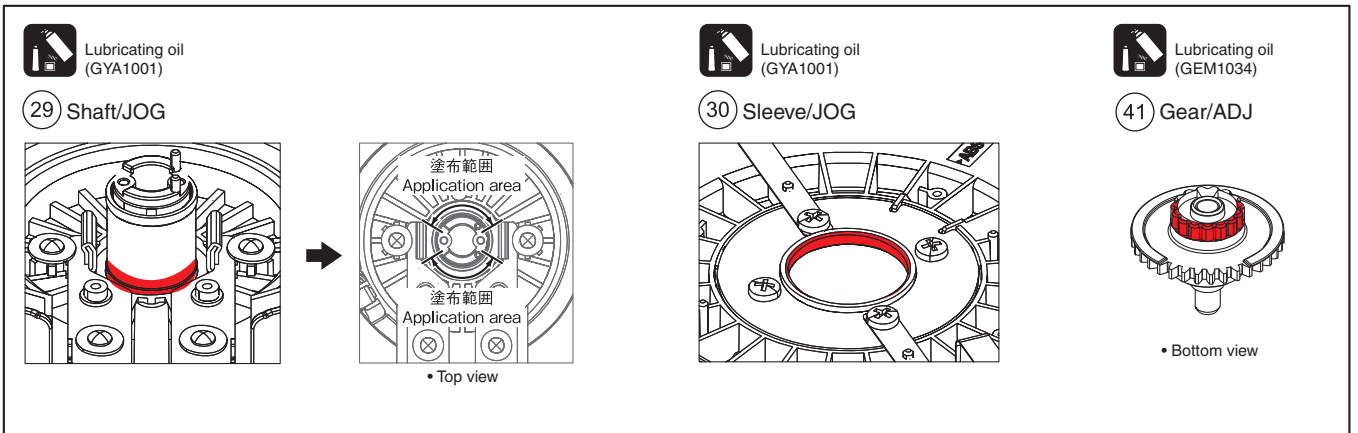
***Note:**
The AMZ30P060FTB screw (47) is used for the products of the first production lot.

1

2

3

4



JOG DIAL SECTION PARTS LIST

Mark No.	Description	Part No.	Mark No.	Description	Part No.
1	JFLL Assy	DWX3545	31	Bracket/JOG	DNH3130
2	JFLR Assy	DWX3546	32	Bracket/SLT	DNH3131
3	JLL1 Assy	DWX3556	33	Lever/A	DNH3132
4	JLL2 Assy	DWX3557	34	Lever/B	DNH3133
5	JLL3 Assy	DWX3558	35	Cover/JOG	DNH3159
6	JLL4 Assy	DWX3559	36	Holder/JOG	DNK6269
7	JLR1 Assy	DWX3561	37	Jog Dial/BAS	DNK6270
8	JLR2 Assy	DWX3562	38	Jog Dial/A	DNK6271
9	JLR3 Assy	DWX3563	39	Jog Dial/B	DNK6272
10	JLR4 Assy	DWX3564	40	Holder/FL	DNK6273
11	JOGTL Assy	DWX3551	41	Gear/ADJ	DNK6274
12	JOGTR Assy	DWX3565	42	Cam/ADJ	DNK6275
13	JOGR Assy	DWX3552	43	Pin/ADJ	DNK6276
14	Connector Assy	PF03PP-B07	44	Washer	WA41D070D025
15	Connector Assy	PF03PP-B12	45	•••••	
16	Connector Assy	PF04PP-B12	46	DM Screw (FTC)	DBA1260
17	Jog Panel	DAH2609	47	Screw	IMZ30P060FTB
18	Plate/JOG	DAH2915	48	Screw	BBZ30P180FTC
19	Washer/JOG	DBE1016	49	Screw	BPZ20P060FTC
20	Coil Spring/ADJ	DBH1802	50	Screw	BPZ30P060FTC
21	Leaf Spring/ADJ	DBK1376	51	Screw	BPZ30P080FNI
22	Leaf Spring/A	DBK1379			
23	Leaf Spring/B	DBK1380			
24	Leaf Spring/C	DBK1382			
25	Slit/JOG	DEC3515			
26	Gasket/JOG	DEC3556			
27	Felt/JOG	DED1187			
28	DS Tape/JOG	DEH1047			
29	Shaft/JOG	DLA2225			
30	Sleeve/JOG	DLA2226			

(1) PANEL and BUTTON SECTION PARTS LIST

<u>Mark No.</u>	<u>Description</u>	<u>Part No.</u>	<u>Mark No.</u>	<u>Description</u>	<u>Part No.</u>
A	1 Control Panel	DNK6531	16 Button/PM2		DAC2997
	2 Sheet	DAH3068	17 Button/DEL		DAC3000
	3 Sheet	See Contrast table (2)	18 Button/DER		DAC3001
	4 Lens/TMP	DNK6307	19 Button		DAC3156
	5 Lens/MIC	DNK6308	20 Button		DAC3158
	6 Button	DAC3161	21 Button		DAC3128
	7 Button	DAC3160	22 Button		DAC3120
	8 Button/CX2	DAC2984	23 Button		DAC3121
	9 Button	DAC3154	24 Button		DAC3122
	10 Button/FX2	DAC2986	25 Button		DAC3123
B	11 Button	DAC3125	26 Button		DAC3124
	12 Button/SHT	DAC2989	27 Button		DAC3127
	13 Button/ON	DAC2991	28 Button		DAC3157
	14 Button	DAC3155	29 Button		DAC3159
	15 Button/FX	DAC2995	NSP 30 Serial Label (UPC)		DRW2311
			NSP 31 Name Label		See Contrast table (2)

(2) CONTRAST TABLE

DDJ-RZ/UXJCB, LSYXJ and XJCN are constructed the same except for the following:

Mark	No.	Symbol and Description	DDJ-RZ/UXJCB	DDJ-RZ/LSYXJ	DDJ-RZ/XJCN
	3	Sheet	DAH3088	DAH3088	DAH3070
NSP	31	Name Label	Not used	Not used	DAL1289

9.7 JOG DIAL SECTION

DDJ-SZ/UXJCB and DDJ-RZ/LSYXJ, UXJCB, XJCN are constructed the same except for the following:

For convenience of the system, the part names for the DDJ-RZ are simplified. The part names in parentheses are those for the DDJ-SZ.

Mark	No.	Symbol and Description	DDJ-SZ/UXJCB	DDJ-RZ
	1	JFLL Assy	DWX3545	DWX3775
	2	JFLR Assy	DWX3546	DWX3776
	3	JLL1 Assy	DWX3556	DWX3778
	4	JLL2 Assy	DWX3557	DWX3779
	5	JLL3 Assy	DWX3558	DWX3781
	6	JLL4 Assy	DWX3559	DWX3782
	7	JLR1 Assy	DWX3561	DWX3783
	8	JLR2 Assy	DWX3562	DWX3784
	9	JLR3 Assy	DWX3563	DWX3785
	10	JLR4 Assy	DWX3564	DWX3786
	11	JOGTL Assy	DWX3551	DWX3754
	12	JOGTR Assy	DWX3565	DWX3756
	13	JOGR Assy	DWX3552	DWX3759
	18	Plate (Plate/JOG)	DAH2915	DAH3048
	37	Jog Dial (Jog Dial/BAS)	DNK6270	DNK6408
	38	Jog Dial (Jog Dial/A)	DNK6271	DNK6409
	39	Jog Dial (Jog Dial/B)	DNK6272	DNK6476
	47	Screw	IMZ30P060FTB	DBA1442