

# 9.4 CONTROL PANEL SECTION (1/5)

1

2

3

4

A

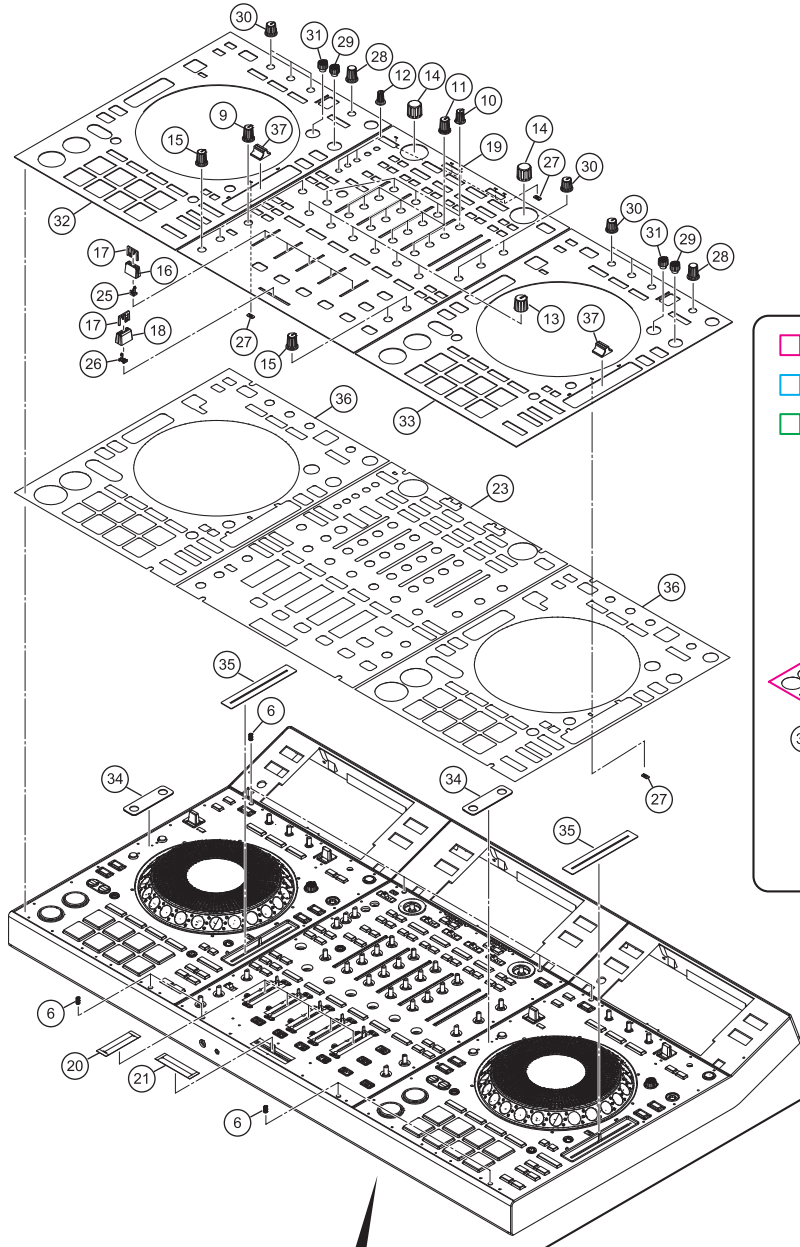
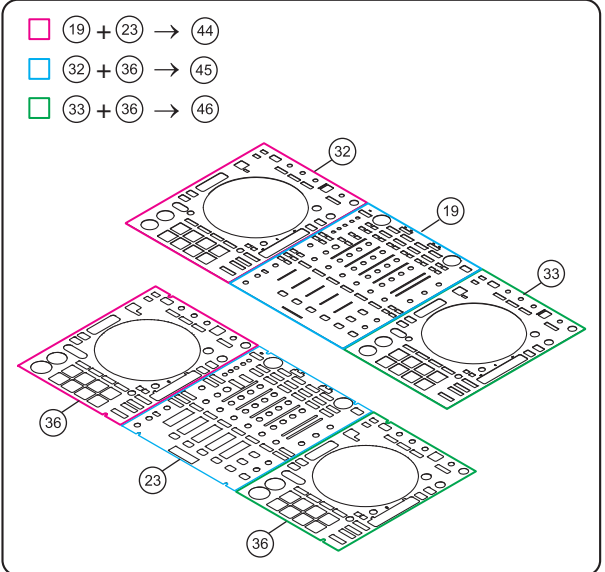
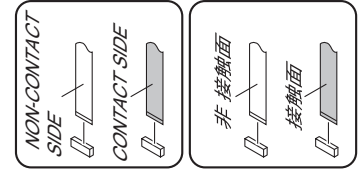
B

C

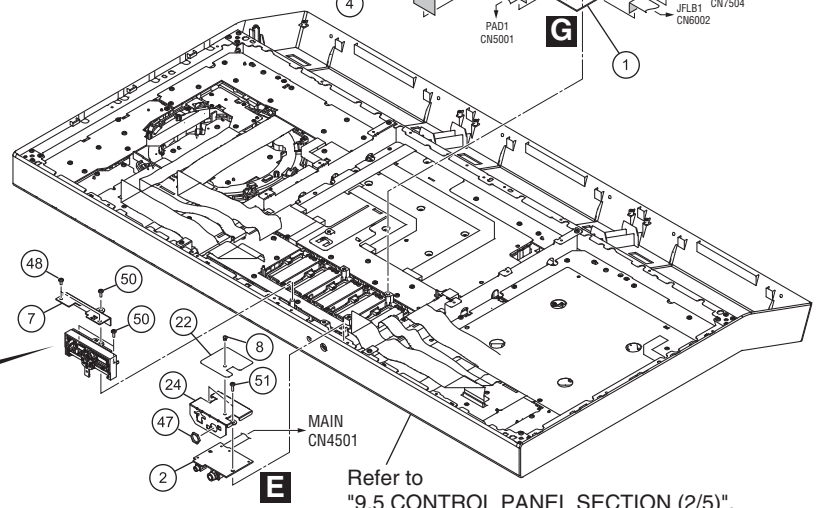
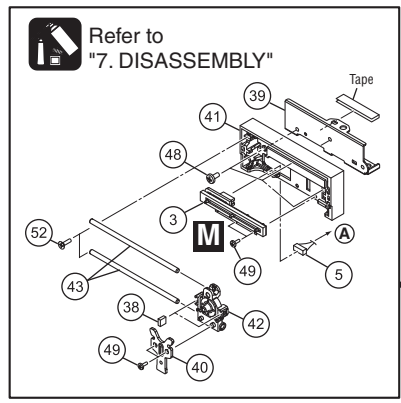
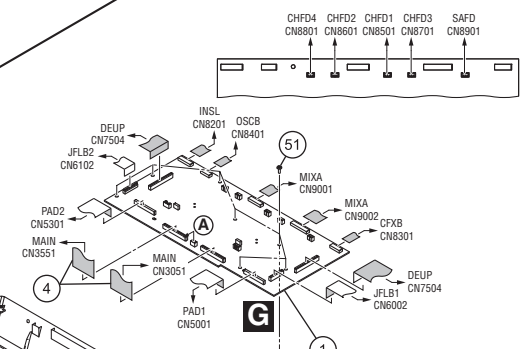
D

E

F



• Bottom view



1

2

3

4

5 6 7 8

**CONTROL PANEL SECTION (1/5) PARTS LIST**

<u>Mark No.</u>	<u>Description</u>	<u>Part No.</u>	<u>Mark No.</u>	<u>Description</u>	<u>Part No.</u>
1	STMO Assy	DWX3824	46	•••••	DEA1058
2	HPJK Assy	DWX3810	47	Nut (M12)	NKX2FNI
3	CRFD Assy	DWX3817	48	Screw	BBZ30P060FTC
4	FFC	DDD1751	49	Screw	BPZ20P050FTC
5	Connector Assy	PF03PP-B05	50	Screw	BPZ30P080FNI
6	Coil Spring	DBH1813	51	Screw	BPZ30P100FTC
7	Holder	DNF2005	52	Screw	CPZ26P080FTC
8	Nylon Rivet	AEC1671			
9	Knob (RES)	DAA1250			
10	Knob/CH	DAA1300			
11	Knob/RSW	DAA1305			
12	Knob/RSW	DAA1307			
13	Knob/FRE	DAA1309			
14	Knob/BRS	DAA1342			
15	Knob	DAA1368			
16	Slider Knob 1	DAC2684			
17	Slider Knob 2	DAC2685			
18	Knob	DAC3238			
19	Plate	DAH3101			
20	Fader Packing	DEC3355			
21	Packing	DEC3642			
22	Sheet	DEC3705			
23	DS Tape	DEH1087			
24	Stay	DNF1992			
25	Slider Knob Stopper	DNK5888			
26	Stopper	DNK6440			
27	Lens	DNK6621			
28	Rotary SW Knob (C)	DAA1180			
29	Knob/CFC	DAA1326			
30	Knob	DAA1370			
31	Adjust Knob Black	DAC2528			
32	Plate	DAH3102			
33	Plate	DAH3116			
34	Plate	DAH3106			
35	Sheet	DAH3112			
36	DS Tape	DEH1086			
37	Knob/SLD	DNK5981			
NSP 38	Cushion	DEC3356			
39	Stay	DNF1942			
40	Lever	DNH3211			
41	Holder	DNK6425			
42	Slider	DNK6426			
43	Guide Bar	VLL1514			
44	•••••	DEA1056			
45	•••••	DEA1057			

DDJ-RZX

5 6 7 8

95