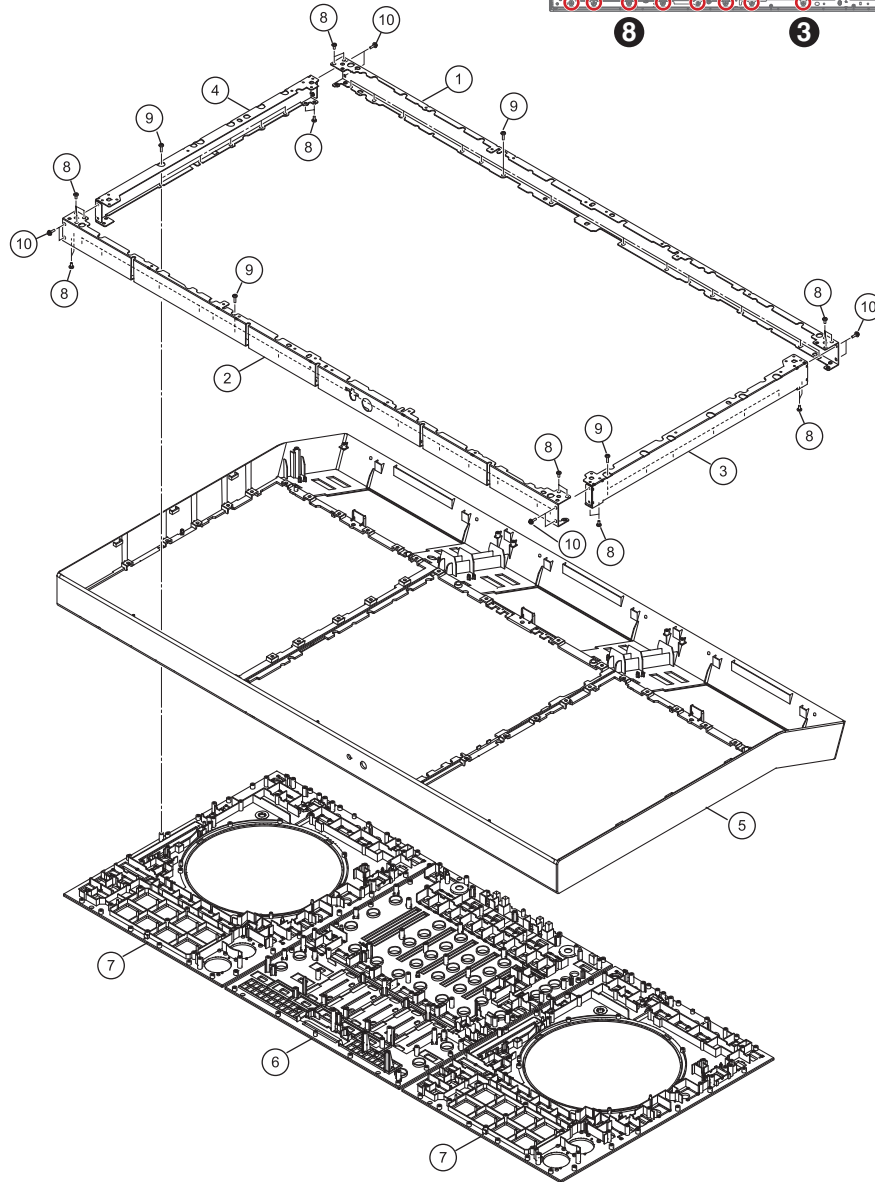
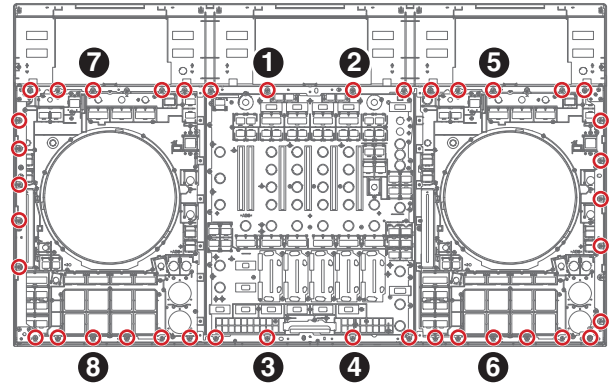
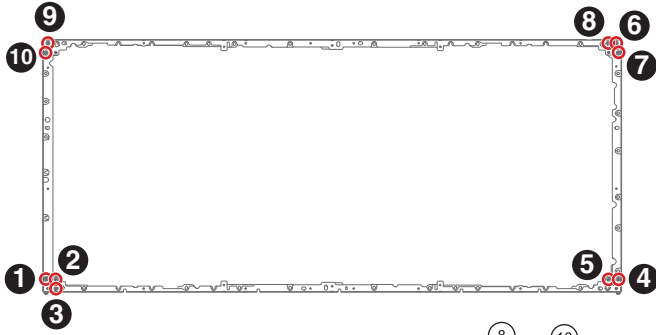


9.8 CONTROL PANEL SECTION (5/5)

Screw tightening order
ネジの締め順



CONTROL PANEL SECTION (5/5) PARTS LIST

Mark No.	Description	Part No.	Mark No.	Description	Part No.
1	Frame	DNH3260	6	Panel	DNK6614
2	Frame	DNH3261	7	Panel	DNK6615
3	Frame	DNH3262	8	Screw	BBZ30P060FTC
4	Frame	DNH3263	9	Screw	BPZ30P100FTC
5	Frame	DNK6613	10	Screw	PMB30P060FTC