



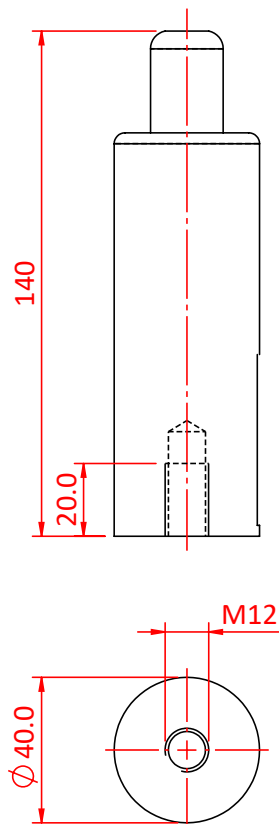
# 80SV III ZW M12 Female

## Product Data Sheet

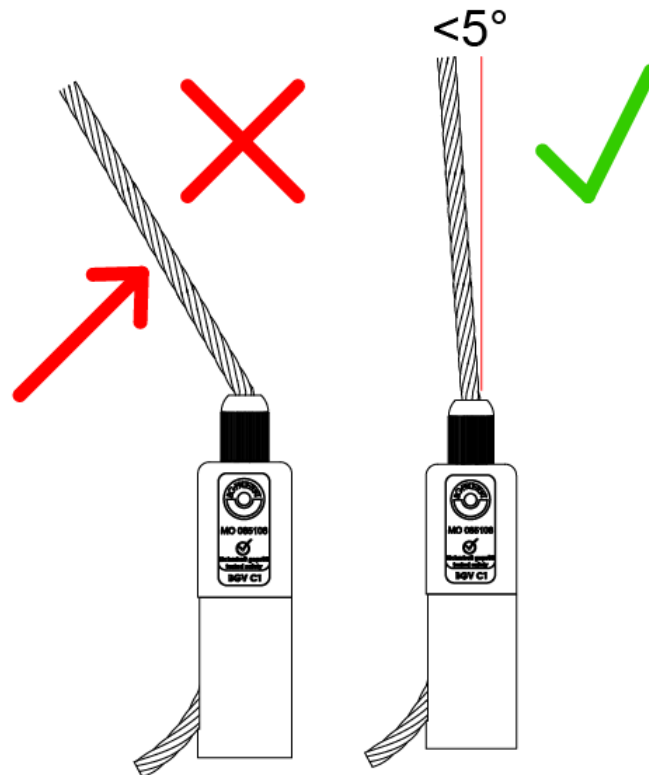


A Type 80 Cable Holder with an M12 Female Thread	
<b>Part Nos</b>	T37683
<b>Holder Diameter</b>	Ø40mm
<b>Thread</b>	M12
<b>Thread Depth</b>	20mm
<b>Mechanism Type</b>	3 Ball
<b>WLL</b>	Ø6mm Wire - 135Kg Ø1/4" (6.35mm) Wire - 150Kg Ø8mm Wire - 240Kg
<b>Weight</b>	0.94Kg

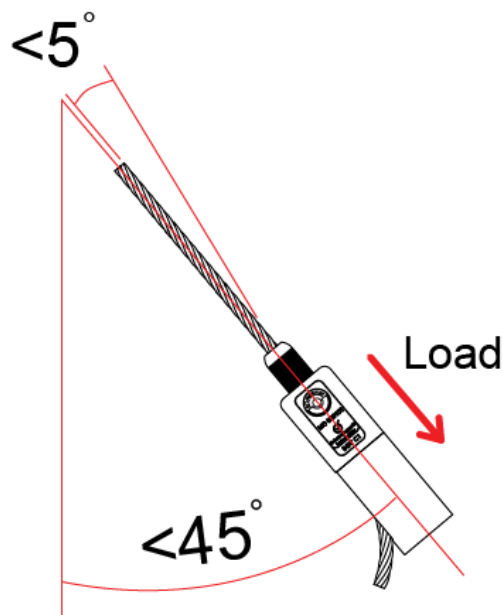
Dimensions in mm



DIMENSIONS ARE A GUIDE ONLY AND MAY VARY



The wire rope must exit in line with the Cable Holder.  
The maximum angle allowed is 5 degrees.



Reutlinger Cable Holders can be used  
up to an angle of 45 degrees.

The wire rope must not exceed 5 degrees  
when exiting the cable holder.