



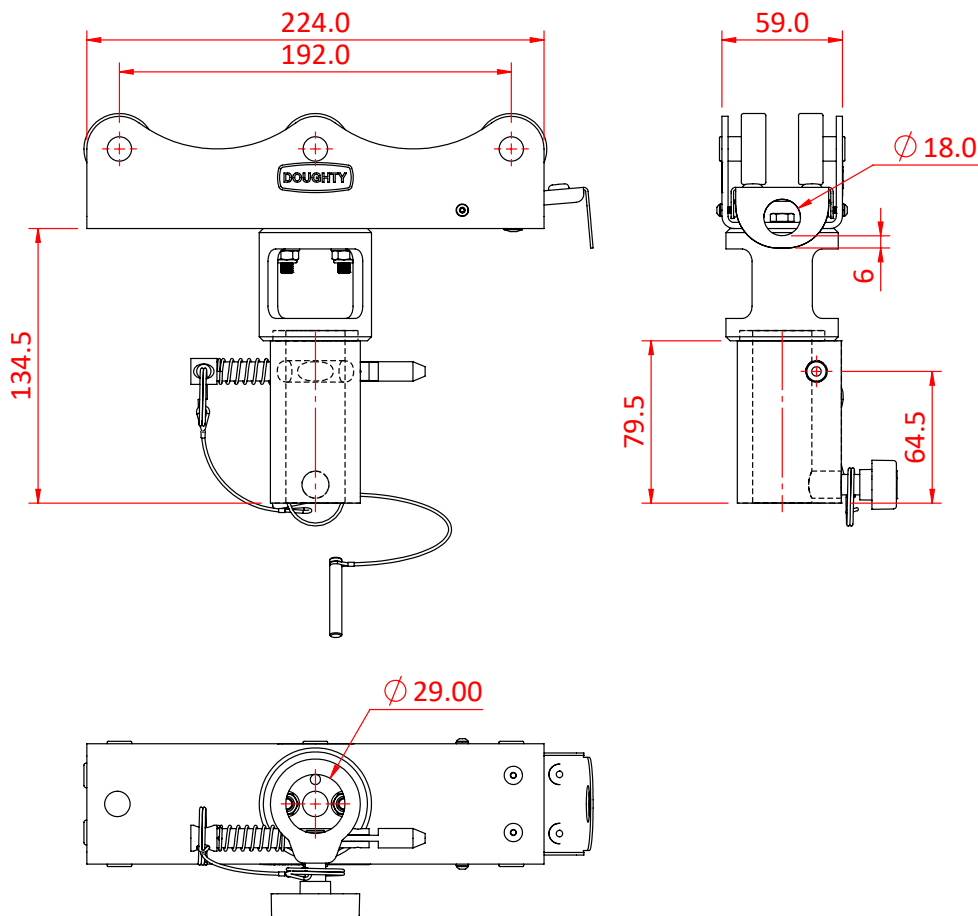
Product Data Sheet

Studio Rail 80 - 6 Wheel Carriage 28mm Receiver - Braked



A mild steel six wheel carriage factory with a three point receiver.	
Part Nos	T85205
Materials	Mild steel
Finish	Powder coated black
WLL	100Kg
Weight	1.2Kg

Dimensions in mm



Doughty Engineering Ltd - Crow Arch Lane, Ringwood, Hampshire, BH24 1NZ, UK
+44 (0) 1425 478961, sales@doughty-engineering.co.uk - www.doughty-engineering.co.uk